

Nomenclature des pièces détachées / Exploded view

JØTUL PF 980

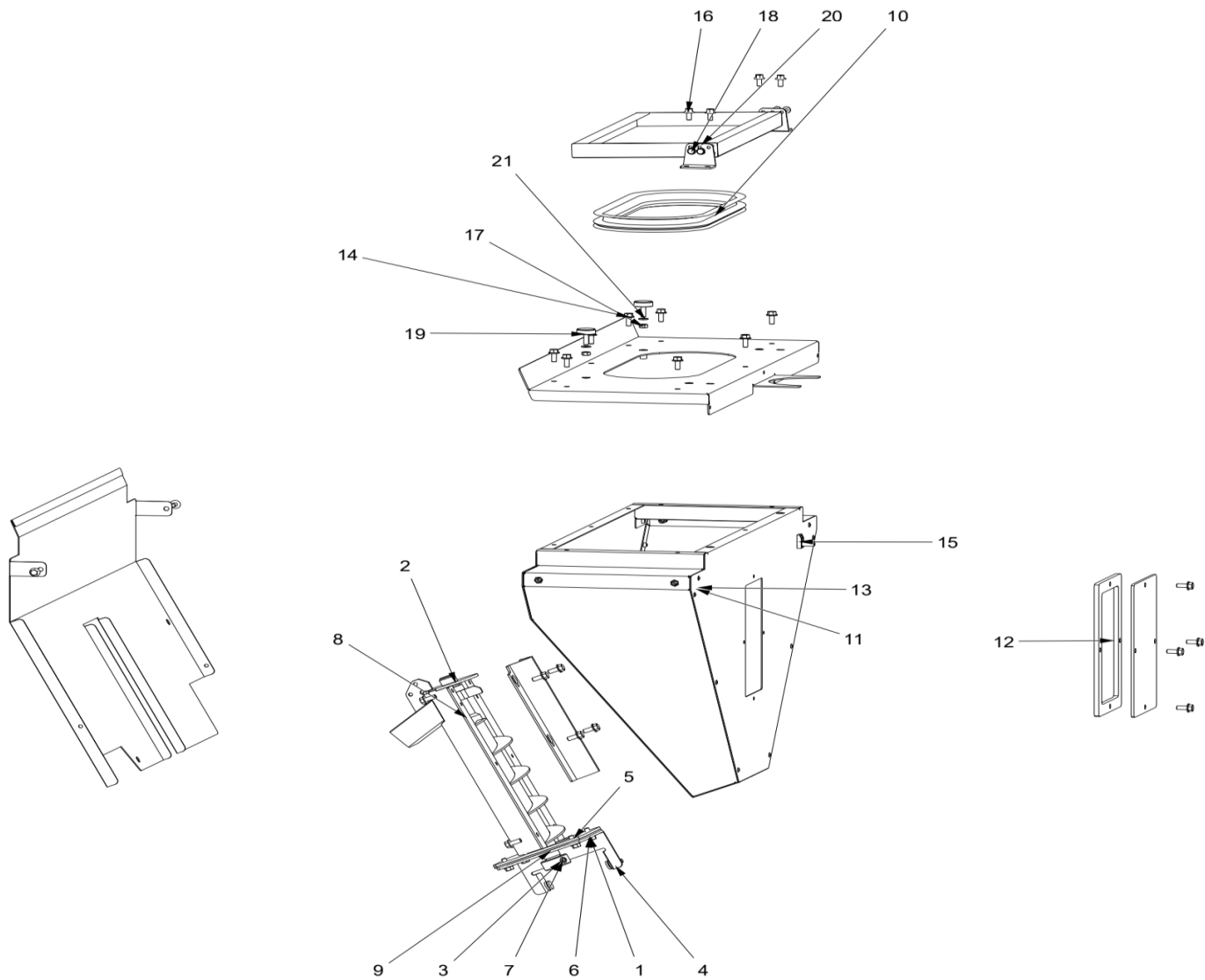


N°	CODICE	DESCRIZIONE IT	DESCRIZIONE EN
0	03A00016A	PORTA COMPLETA PF980	DOOR ASSEMBLY PF980
1	70B00056N	VETRO PIANO CERAMICO SERIGRAFATO 480x320x4	SILK-SCREENED CERAMIC FLAT GLASS 480x320x4
2	PNGN00008	GUARNIZIONE BLACK TEX NERA ADESIVA 8x1 L=1460 mm.	BLACK TEX ADHESIVE GASKET 8x1 L=1460 mm.
3	44061-R	TRECCIA DI VETRO TRICOVET Ø16mm GRIGIA L=1750mm	TRICOVET GLASS BRAID Ø16mm GREY L=1750mm
3	44061-R1	TRECCIA DI VETRO TRICOVET Ø16mm GRIGIA L=1750mm	TRICOVET GLASS BRAID Ø16mm GREY L=1750mm
4	NE1185	VITE TCEI 8.8 M5X10 UNI 5931 BN.	HEXAGON SOCKET HEAD CAP SCREW 8.8 M5X10 UNI 5931 BN.
5	NE1102	VITE TE FL. M5X10 DIN 6921 8.8	HEX HEAD SCREW FL. M5X10 DIN 6921 8.8
6	03A00017N	PORTA FOCOLARE PF980	FIREBOX DOOR PF980
7	03G00022N	FERMAVETRO	GLASS HOLDER
8	06C00150N	CERNIERA PORTA PF980	DOOR HINGE PF980
9	NE1312	VITE TCEI INOX M5X6 UNI 5931	HEXAGON SOCKET HEAD CAP SCREW STAINLESS STEEL M5X6 UNI 5931
10	NE1152	RONDELLA ELASTICA CONVESSA D5.3X10 SP.0.5 DIN 137A	CONVEX SPRING WASHER D5.3X10 SP.0.5 DIN 137A
11	NE1252	VITE AUTOFORMANTE SV.P.M5X10	SELF-TAPPING SCREW SV.P.M5X10

Nomenclature des pièces détachées / Exploded view

**JØTUL PF 980**





Nomenclature des pièces détachées / Exploded view

JØTUL PF 980

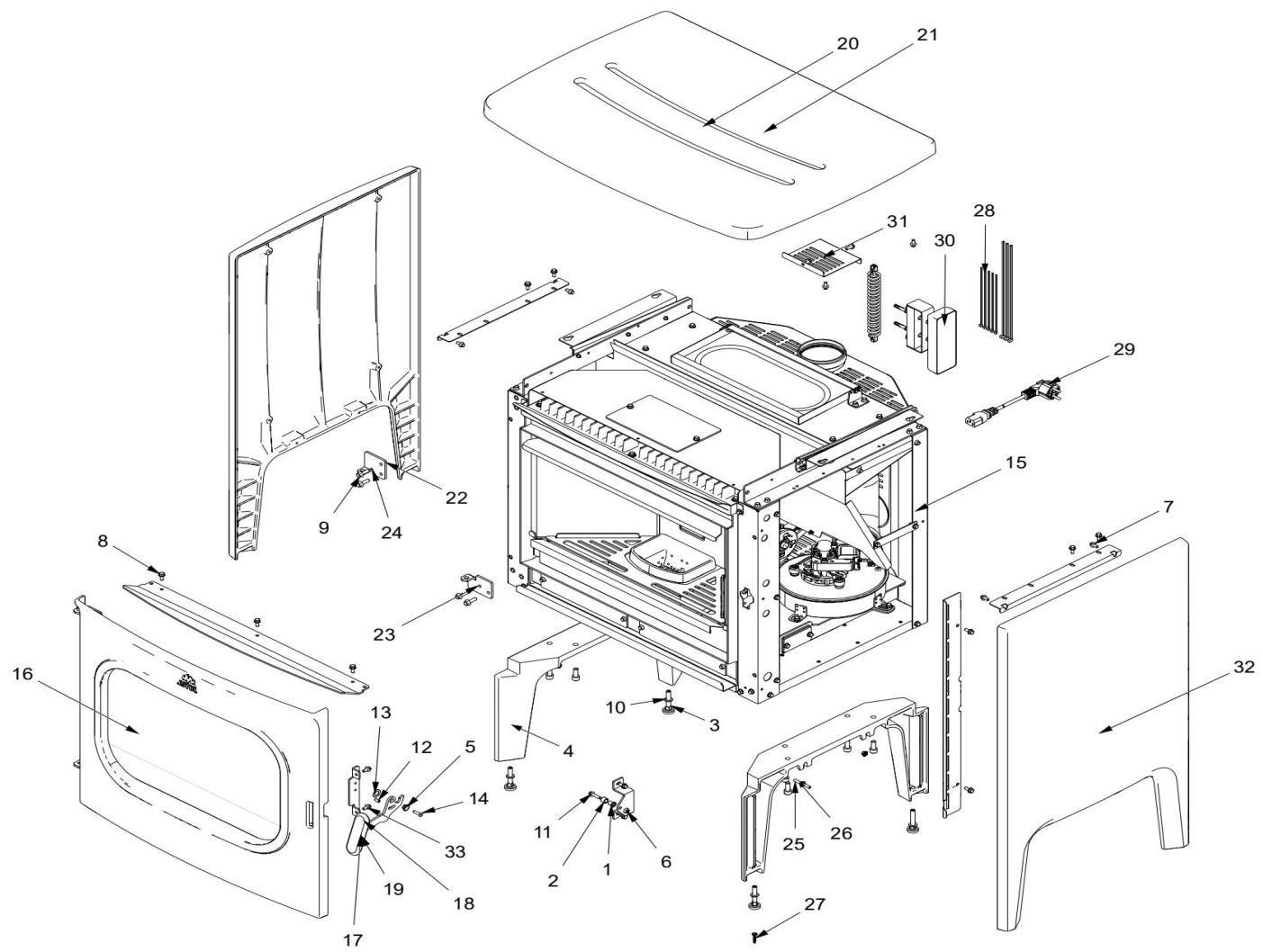


N°	CODICE	DESCRIZIONE IT	DESCRIZIONE EN
0	08X00103A	TRAMOGGIA E CARICAMENTO PELLET	HOPPER AND PELLET LOADING
1	05C00002A	COCLEA ASSEMBLATA 250	ASSEMBLED AUGER 250
2	66094	BOCCOLA HIMON TFF 161812 MUEO	HIMON BUSHING TFF 161812 MUEO
3	66139	BUSSOLA MOTORIDUTTORE	GEARMOTOR BUSH
4	66140	GOMMINO PARACOLPI 2 ANELLI	SHOCK ABSORBER RUBBER 2 RINGS
5	44000	GOMMA DISTANZIALE	SPACER RUBBER
6	NE1236	VITE AUTOFORMANTE TE TF M5X12	SELF-TAPPING HEX HEAD SCREW TF M5X12
7	NE1066	GRANO PUN.CON.45H 8X16 UNI5927	CONICAL TIP GRUB SCREW 45H 8X16 UNI5927
8	05C00004S	ASSIEME COCLEA 250	AUGER ASSEMBLY 250
9	070-13-008N	PIASTRA MOTORIDUTTORE	GEARMOTOR PLATE
10	PNGS00004	GUARNIZIONE TRAMOGGIA MILD L=690	MILD HOPPER GASKET L=690
11	PNEH00009	TERMOSTATO CAMPINI COREL	COREL CAMPINI THERMOSTAT
12	014-66-007N	GUARN CARTA ECOL. SP.5	ECOL. PAPER GASKET TH.5
13	NE1079	VITE AUTOFILET.3.9X9,5 DIN7981	SELF-TAPPING SCREW 3.9X9.5 DIN7981
14	NE1236	VITE AUTOFORMANTE TE TF M5X12	SELF-TAPPING HEX HEAD SCREW TF M5X12
15	PNSS00002	SONDA AD ANGOLO IN RYTON	RYTON CORNER PROBE
16	NE1102	VITE TE FL. M5X10 DIN 6921 8.8	HEX HEAD SCREW FL. M5X10 DIN 6921 8.8
17	NE1126	DADO M5 UNI 5588 ZN	NUT M5 UNI 5588 ZN
18	PNVV00005	VITE AUTOF. TEFL M4x8 ZN NERA	SELF-TAPPING SCREW TEFL M4x8 ZN BLACK
19	06B00072N	MAGNETE SM36.3NI00.2060GM	MAGNET SM36.3NI00.2060GM
20	08T00027N-BPK	COPERCHIO PELLET	PELLET COVER
21	NE1058	ROND.PIANA D.5 UNI 6592 ZN	FLAT WASHER D.5 UNI 6592 ZN

Nomenclature des pièces détachées / Exploded view

**JØTUL PF 980**





Nomenclature des pièces détachées / Exploded view

JØTUL PF 980

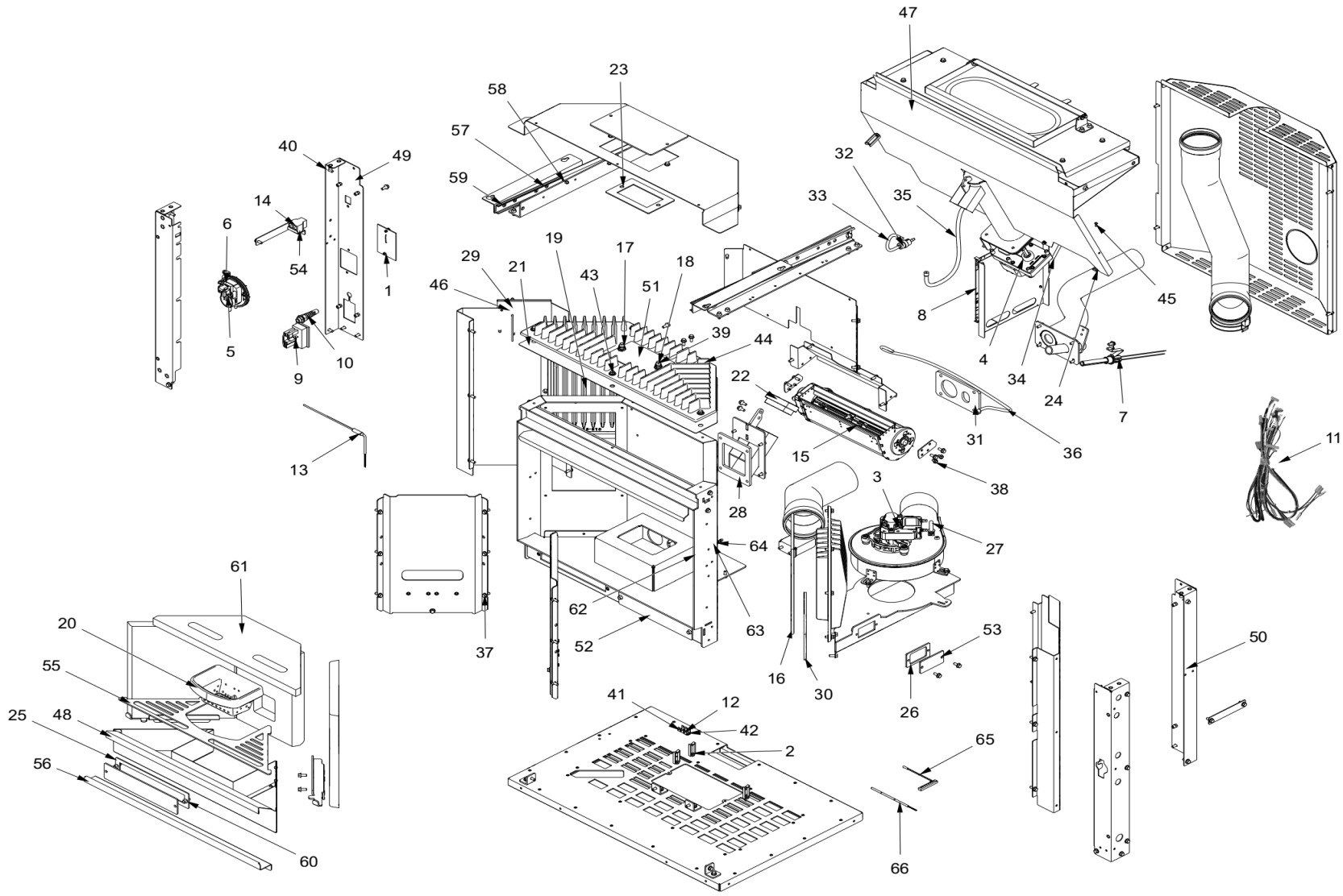


N°	CODICE	DESCRIZIONE IT	DESCRIZIONE EN
0	20068FJ05_A	PF980	PF980
1	010-03-015N	BUSSOLA CHIUSURA	BUSH CLOSURE
2	3800-00-138	ROTELLA	WHEEL
3	11J00360N	PIEDE D20 M8X55	FOOT D20 M8X55
4	10H00053N-BLK	PIEDINO PF980 VERNICIATO	FOOT PF980 PAINTED
5	100-66-018N	BUSSOLA	BUSH
6	NE1024	DADO FLANG.AUTOBL.M5 ISO7044	SELF-LOCK. FLANG.NUT M5 ISO7044
7	NE1102	VITE TE FL. M5X10 DIN 6921 8.8	HEX HEAD SCREW FL. M5X10 DIN 6921 8.8
8	NE1236	VITE AUTOFORMANTE TE TF M5X12	SELF-TAPPING HEX HEAD SCREW TF M5X12
9	NE1025	VITE TE FL. M6X20 DIN 6921	HEX HEAD SCREW FL. M6X20 DIN 6921
10	NE1074	ROND.PIANA ZN 8X15 UNI 6592	FLAT WASHER ZN 8X15 UNI 6592
11	NE1028	VITE TE FL. M5X20 DIN 6921	HEX HEAD SCREW FL. M5X20 DIN 6921
12	NE1002	GRANO M5X10 CON ESLOOK P.PIAT.	GRUB SCREW M5X10 WITH ESLOOK P.FLAT
13	NE1153	ROND.ELAS.CONVES.D.10 DIN137A	CONVEX SPRING WASHER D.10 DIN137A
14	NE1129	VITE SV.EI PIANA M5X18 UNI5933	FLAT COUNTERSUNK HEX HEAD SCREW M5X18 UNI5933
15	Z0049FR05	Z STRUTTURA MILD	MILD Z STRUCTURE
16	03A00016A	PORTA COMPLETA PF980	DOOR ASSEMBLY PF980
17	06A00011S-BPK	MANIGLIA SALDATA PF980	WELDED HANDLE PF980
18	NE1195	VITE SV.EI PIANA M4X12 UNI5933	FLAT COUNTERSUNK HEX HEAD SCREW M4X12 UNI5933
19	06A00040N-BWG	IMPUGNATURA VERNICIATA	PAINTED HANDLE
20	10F00099N-BLK	TOP PF980	TOP PF980
21	NE1102	VITE TE FL. M5X10 DIN 6921 8.8	HEX HEAD SCREW FL. M5X10 DIN 6921 8.8
22	NE1152	RONDELLA ELASTICA CONVESSA D5.3X10 SP.0.5 DIN 137A	CONVEX SPRING WASHER D5.3X10 SP.0.5 DIN 137A
23	06C00148N-BPK	CERNIERA INFERIORE PF980	LOWER HINGE PF980
24	06C00149N-BPK	CERNIERA SUPERIORE PF980	UPPER HINGE PF980
25	PNVG00002	GRANO M5X40 UNI5923 INOX	GRUB SCREW M5X40 UNI5923 STAINLESS STEEL
26	NE1402	DADO FLANG.CL.8 M5 ISO4161 ZNB	FLANGE NUT CL.8 M5 ISO4161 ZNB
27	NE1308	VITE ST.4,5X25 DIN7982C	SELF-TAPPING SCREW 4/5X25 DIN7982C
28	44009	FASCETTA STRINGITUBO CV140K	HOSE CLAMP CV140K
29	PNEF00005	SPINA SCHUKO CONN.IEC DIRITTO H05RR-F 3x0,75x1200mm	STRAIGHT IEC CONN.SCHUKO PLUG H05RR-F 3x0.75x1200mm
30	K0125AZ00	KIT DISPLAY M31	M31 DISPLAY KIT
31	10K00088N-BPK	TAPPO VERNICIATO	PAINTED CAP
32	10B00231N-BLK	FIANCO PF980 VERNICIATO	SIDE PF980 PAINTED
33	NE1102	VITE TE FL. M5X10 DIN 6921 8.8	HEX HEAD SCREW FL. M5X10 DIN 6921 8.8

Nomenclature des pièces détachées / Exploded view

**JØTUL PF 980**





Nomenclature des pièces détachées / Exploded view

JØTUL PF 980



N°	CODICE	DESCRIZIONE IT	DESCRIZIONE EN
0	Z0049FR05	Z STRUTTURA PF 980	PF 980 Z STRUCTURE
1	PNVS00003	RIVETTO PLASTICA NERA 9x5,5	BLACK PLASTIC RIVET 9x5.5
2	PNEB00004	FERMACAVO A CHIUSURA DALL'ALTO 10695AA00	TOP-LOCKING CABLE HOLDER 10695AA00
3	PNEE00009	CAF15Y-156LS Estrattore fumi	CAF15Y-156LS Smoke extractor
4	PNEG00012	MOTORIDUTTORE 2rpm CW - 230V 50Hz con sensore di HALL	GEARMOTOR 2rpm CW - 230V 50Hz with HALL sensor
5	PNEH00005	PRESSOSTATO HUBA CONTROL TYPE 605 - 10 Pa	HUBA CONTROL PRESSURE SWITCH TYPE 605 - 10 Pa
6	PNEB00002	CLIP PER PRESSOSTATO HUBA TYPE 605	CLIP FOR HUBA PRESSURE SWITCH TYPE 605
7	04B00002N	CANDELETTA CERAMICA GRIGIA 230V - 280W	GREY CERAMIC SPARK PLUG 230V - 280W
8	PNEM00016	ASSIEME CENTRALINA [ ARIA ] + ANTENNA M31	CONTROL UNIT ASSEMBLY [ AIR ] + ANTENNA M31
9	55007-KIT	INTER.POLYSNAP BZ01001/S+FUSIB	INTER.POLYSNAP BZ01001/S+FUSIB
10	PNEC00072	PIGTAIL PG7 CON CONTRODADO	PIGTAIL PG7 WITH LOCKNUT
11	PNEC00095	CABLAGGIO MILD	MILD WIRING
12	PNEH00004	LINGUETTA PER MESSA A TERRA	EARTHING TAB
13	55528	TERMOC."K"IEC 584 T.MAX > 200°	THERMOC. "K "IEC 584 T.MAX > 200°.
14	PNEC00104	SDOPPIATORE TELEFONICO RJ12	TELEPHONE SPLITTER RJ12
15	PNEA00028	THS24B5-031K Ventilatore tangenziale	THS24B5-031K Tangential fan
16	44055-R	TRECCIA TRICOVET GRIGIA D.6	GREY TRICOVET BRAID D.6
16	44055-R1	TRECCIA TRICOVET GRIGIA D.6	GREY TRICOVET BRAID D.6
17	3000-00-092	MOLLA	SPRING
18	100-66-010N	BUSSOLA	BUSH
19	018-01-055N-BLK	TAPPO SUPERIORE(GHISA)VERN.	TOP CAP(CAST IRON)PAINT.
20	100-07-001N	BRACERE IN GHISA	CAST IRON BRAZIER
21	40A00016N	GUARNIZIONE	GASKET
22	40B00006N	GUARNIZ.COCLEA SILICONE	SILICONE AUGER GASKET
23	100-11-046N	GUARN CARTA SILCAWOOL SP.5	SILCAWOOL PAPER GASKET TH.5
24	PNSS00002	SONDA AD ANGOLO IN RYTON	RYTON CORNER PROBE
25	010-11-008N	GUARN CARTA SILCAWOOL SP.5	SILCAWOOL PAPER GASKET TH.5

Nomenclature des pièces détachées / Exploded view

**JØTUL PF 980**





26	070-11-049N	GUARNIZ.SILICONE	SILICONE GASKET
27	40B00008N	CAPPUCCIO SILICONE KAP 204 4,50x15x25	SILICONE CAP KAP 204 4.50x15x25
28	40A00125N	GUARNIZIONE SCIVOLO PELLETTA	PELLET RAMP GASKET
29	018-66-008N	RACCORDO A COMPRESSIONE 1/8GAS	COMPRESSION FITTING 1/8GAS
30	40A00142N	GUARNIZIONE RACCORDO FUMI MILD	MILD SMOKE CONNECTION GASKET
31	40A00143N	GUARNIZIONE GRUPPO ASPIRAZIONE MILD	MILD SUCTION UNIT GASKET
32	PNSS00005	FILTRO ARIA 240 micron PER SCHEDA M31	AIR FILTER 240 microns FOR M31 BOARD
33	PNGS00005	TUBO SILICONE ROSSO Ø6 est. x Ø3,5 int - lg = 120 mm	RED SILICONE PIPE Ø6 ext. x Ø3.5 int - lg = 120 mm
34	PNGS00005	TUBO SILICONE ROSSO Ø6 est. x Ø3,5 int - lg = 350 mm	RED SILICONE PIPE Ø6 ext. x Ø3.5 int - lg = 350 mm
35	44006	TUBO SILICONE BIANCO Ø6 est. x Ø3,5 int - lg = 350 mm	WHITE SILICONE PIPE Ø6 ext. x Ø3.5 int - lg = 350 mm
36	PNGS00006	TUBO SILICONE BIANCO Ø6 est. x Ø3,5 int - lg = 650 mm	WHITE SILICONE PIPE Ø6 ext. x Ø3.5 int - lg = 650 mm
37	NE1236	VITE AUTOFORMANTE TE FL. M5x12 FOSFATATA NERA DIN7500 BN33	SELF-TAPPING HEX HEAD SCREW FL. M5x12 PHOSPHATED BLACK DIN7
38	NE1220	VITE TE FL.4.8X9.5 UNI6950	HEX HEAD SCREW FL.4.8X9.5 UNI6950
39	NE1277	VITE A FLANGIA DIN 6921 - M5 x 25 ZNN	FLANGE SCREW DIN 6921 - M5 x 25 ZNN
40	NE1188	VITE TE FL. M5X12 DIN 6921	HEX HEAD SCREW FL. M5X12 DIN 6921
41	PNVV00005	VITE AUTOF. TEFL M4x8 ZN NERA	SELF-TAPPING SCREW TEFL M4x8 ZN BLACK
42	NE1385	ROND.DENTELLATA D.5 DIN6798A ZN-NERA	TOOTHED WASHER D.5 DIN6798A ZN-BLACK
43	NE1073	ROND. PIANA ZN 5X15 UNI6593	FLAT WASHER ZN 5X15 UNI6593
44	NE1375	VITE AUTOFORMANTE TE FL. M5x16 FOSFATATA NERA DIN7500 BN33	SELF-TAPPING HEX HEAD SCREW FL. M5x16 PHOSPHATED BLACK DIN7
45	NE1079	VITE AUTOFILET.3.9X9,5 DIN7981	SELF-TAPPING SCREW 3.9X9.5 DIN7981
46	NE1369	DADO ESAGONALE CL.8 1/8 GASxCH.14xH.4 ZG	HEXAGONAL NUT CL.8 1/8 GASxCH.14xH.4 ZG
47	08X00103A	TRAMOGGIA E CARICAMENTO PELLETTA	HOPPER AND PELLET LOADING
48	12B00014A-BLK	CASSETTO CENERE MILD	MILD ASH DRAWER
49	11J00397N-BPK	SUPPORTO LATERALE POSTERIORE SX MILD	MILD LEFT REAR SIDE SUPPORT
50	11J00396N-BPK	SUPPORTO LATERALE POSTERIORE DX MILD	MILD RIGHT REAR SIDE SUPPORT

Nomenclature des pièces détachées / Exploded view

**JØTUL PF 980**



51	100-11-045N	TAPPO	CUP
52	010-11-007N	TAPPO	CUP
53	070-11-048N	TAPPO	CUP
54	11J00198N	SUPPORTO SPLITTER DISPLAY	DISPLAY SPLITTER SUPPORT
55	16X00001N-BLK	GRIGLIA BRACIERE MILD	MILD FIRE POT GRID
56	10G00043N-BPK	PANNELLO FRONTALE INFERIORE	BOTTOM FRONT PANEL
57	PNAG00008	GUIDA TELESCOPICA ROLLON LRS37_300	TELESCOPIC GUIDE ROLLON LRS37_300
58	NE1195	VITE SV.EI PIANA M4X12 UNI5933	FLAT COUNTERSUNK HEX HEAD SCREW M4X12 UNI5933
59	NE1255	DADO AUTOBLOCC.M4 DIN980 ZN	AUTOLOCK NUT M4 DIN980 ZN
60	NE1188	VITE TE FL. M5X12 DIN 6921	HEX HEAD SCREW FL. M5X12 DIN 6921
61	14B00003A	KIT VERMICULITE MILD	MILD VERMICULITE KIT
62	PNSS00001	PRESA DI PRESSIONE	PRESSURE PLUG
63	44006	TUBO SILICONE BIANCO Ø8xØ5 L=50 mm.	WHITE SILICONE TUBE Ø8xØ5 L=50 mm.
64	PNSS00006	RACCORDO PORTAGOMMA 6-8	RUBBER HOLDER FITTING 6-8
65	PNES00008	SONDA AMBIENTE NTC, L=1000mm CON CONNETTORE STOCKO	NTC ROOM PROBE, L=1000mm WITH STOCKO CONNECTOR
66	PNES00009	SONDA FUMI J, L=1000mm SENZA CONNETTORE	FLUE GAS PROBE J, L=1000mm WITHOUT CONNECTOR

Nomenclature des pièces détachées / Exploded view

**JØTUL PF 980**

