

Jøtul I 320 FRL



Since 1853

SPARE PARTS

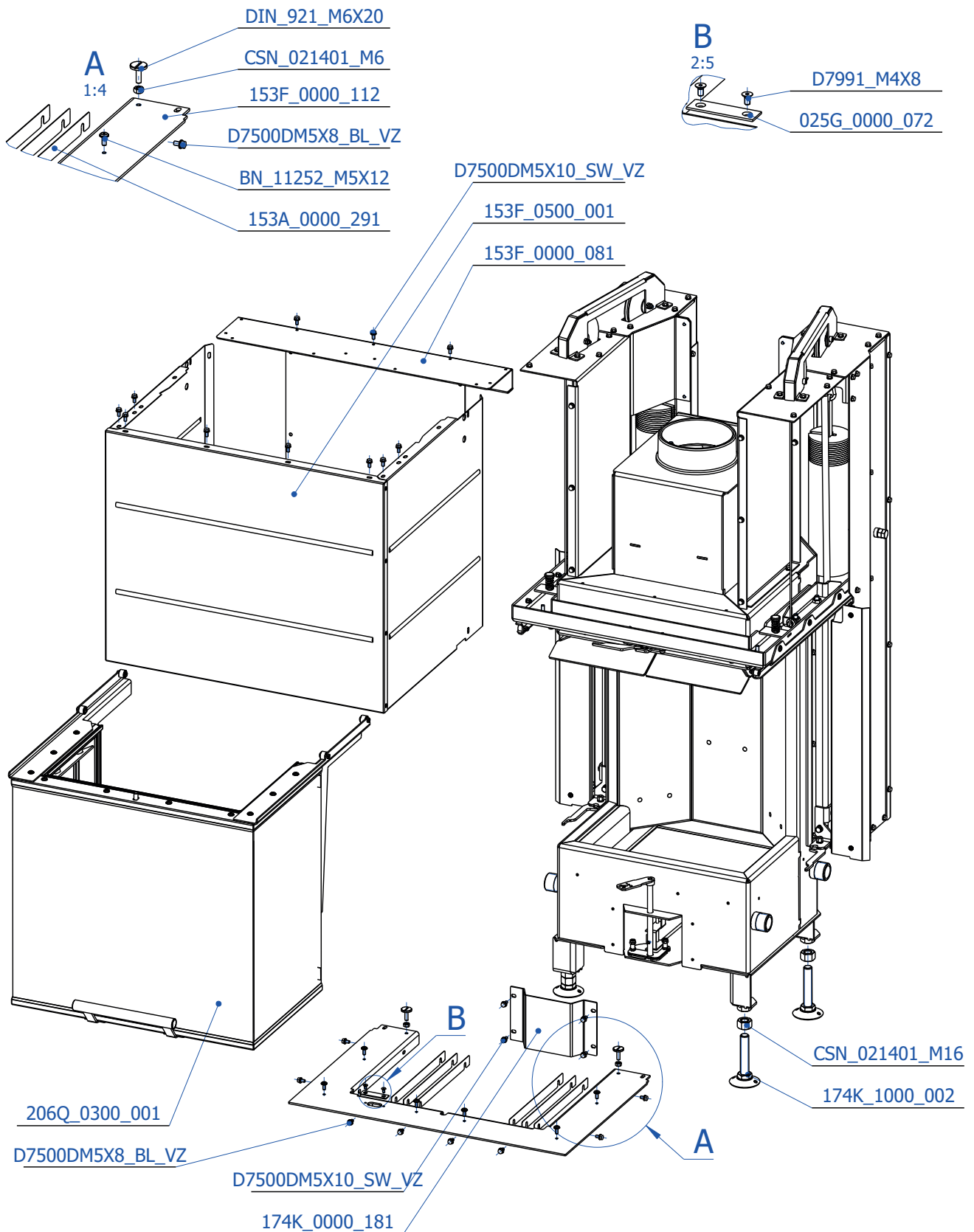
Spare parts Jøtul 320 FRL			
Spare part no.	Market name	M3.no	
1	Screw assortment for SC 5000 series	12061534	-
2	Chamotte chamber set	50063564	153F 2010 001
3	Handle set	50064941	-
4	Front glass 4x502x463	50064862	-
5	Side glass 4x301x463	50063567	632 999 301 463
6	Glass gasket 15x4 mm, type 7226/5/0/0 - black, 3 m.	50052729	341 414 015 004
7	Door gasket, 3,1 m.	50063568	341 414 015 009
8	Spray black, 400 ml	50053535	-
9	Convect.Cover I320/5008	50063554	

Jøtul I 320 FRL



Since 1853

SPARE PARTS

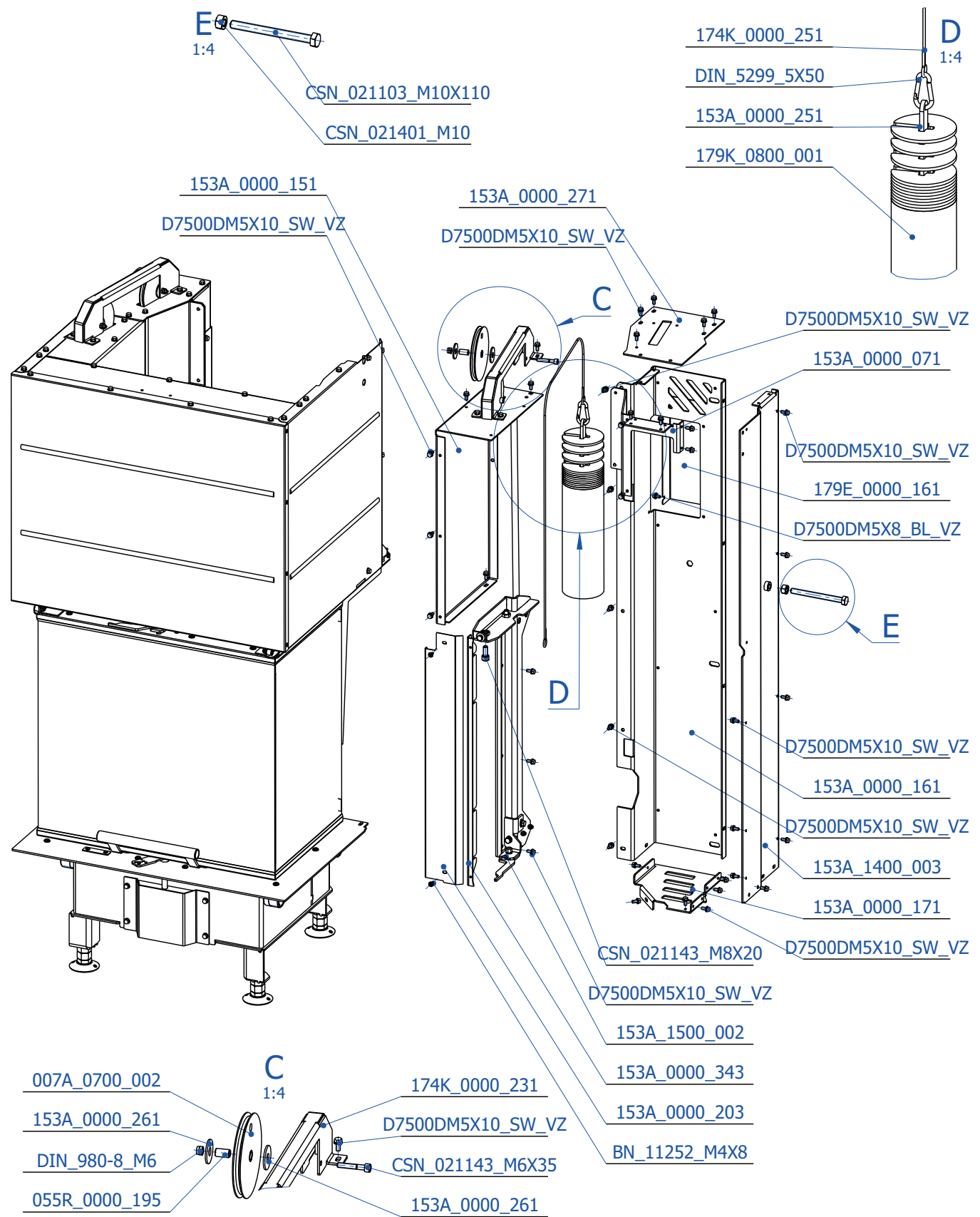


Jøtul I 320 FRL



Since 1853

SPARE PARTS

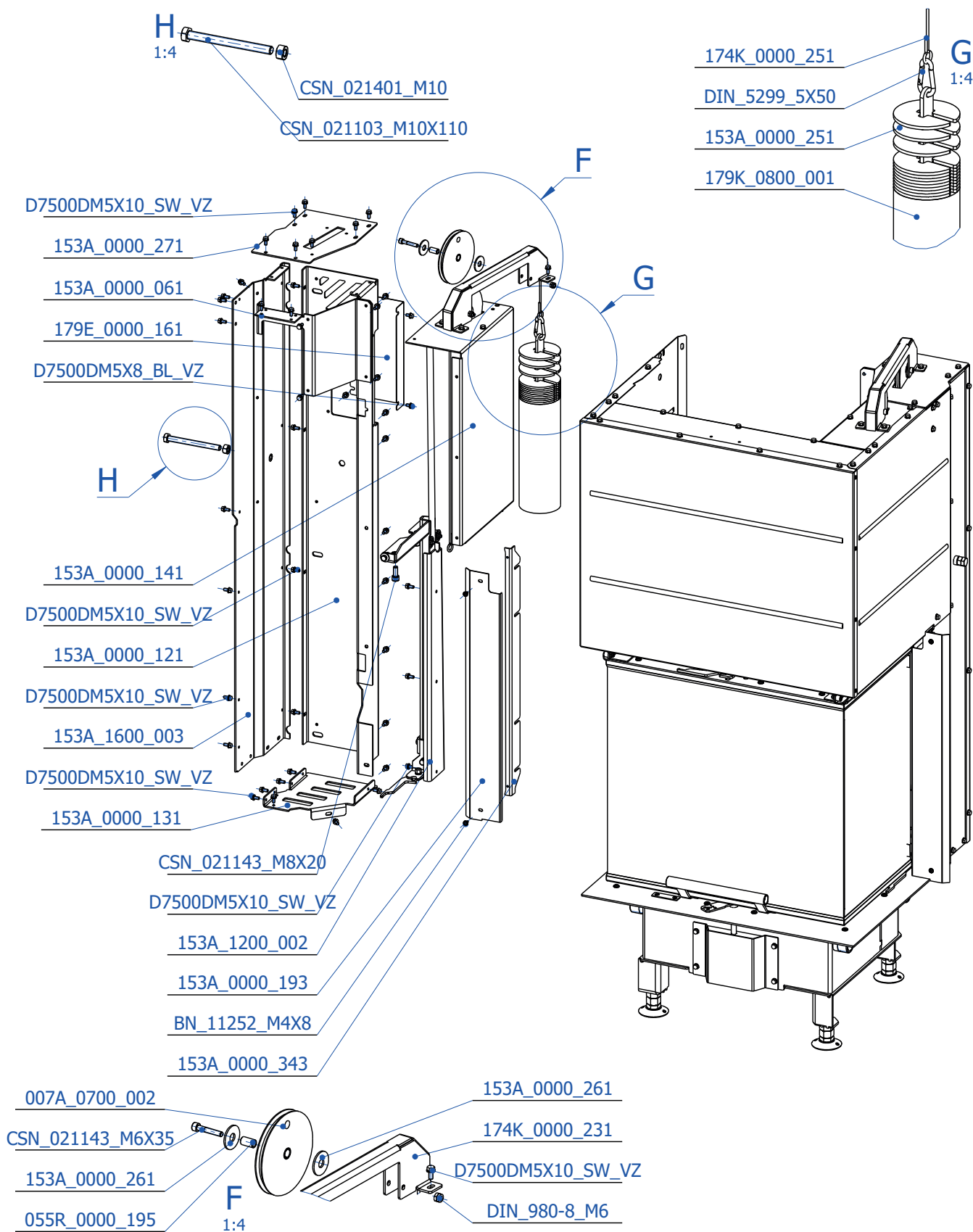


Jøtul I 320 FRL



Since 1853

SPARE PARTS

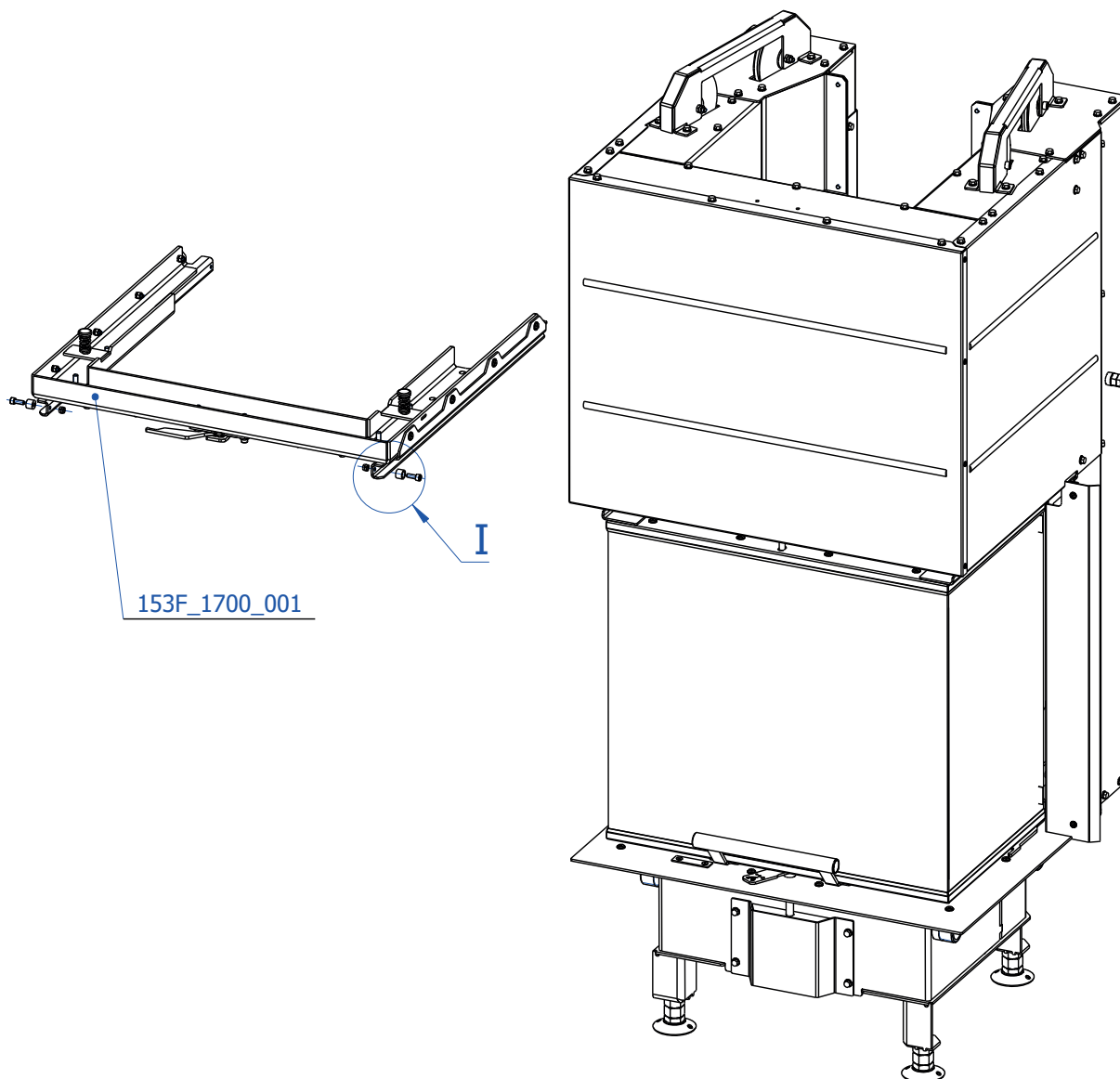
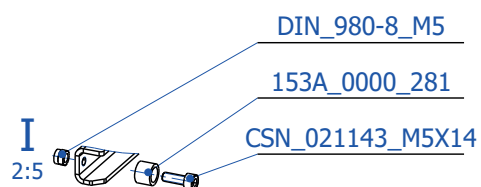


Jøtul I 320 FRL



Since 1853

SPARE PARTS



Jøtul I 320 FRL



Since 1853

SPARE PARTS

K
3:10

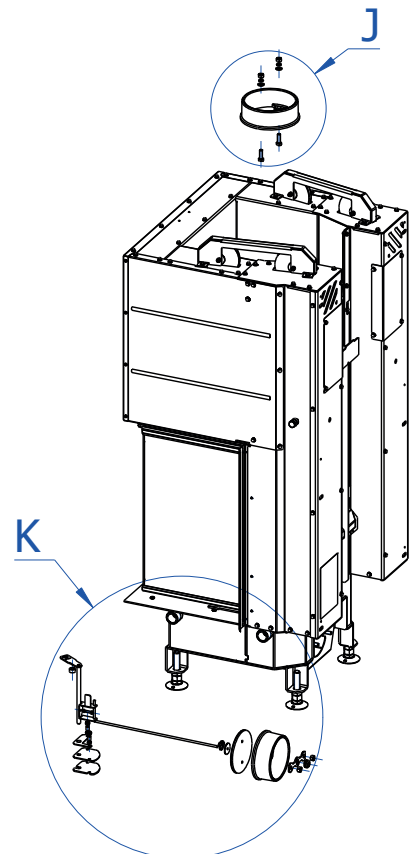
- 206E_1300_001
- 176A_0000_041
- 174A_0000_011
- CSN021740_5
- CSN_021103_M5X16
- DIN_980-8_M6
- 096G_0000_201
- CSN_021403_M6
- 174A_0000_091
- 174A_0000_021
- 174K_0000_191

- 153A_0000_031
- 174A_0000_061
- 206A_0000_201
- 174C_0200_001
- 481_000_081
- 174C_0000_051
- CSN_021401_M8
- PRYZ_PRUCHODKA

J
1:4

- CSN_021401_M8
- CSN021740_8
- CSN_021702A_8_4
- 4901_000_008_23
- CSN_021103_M8X25

K

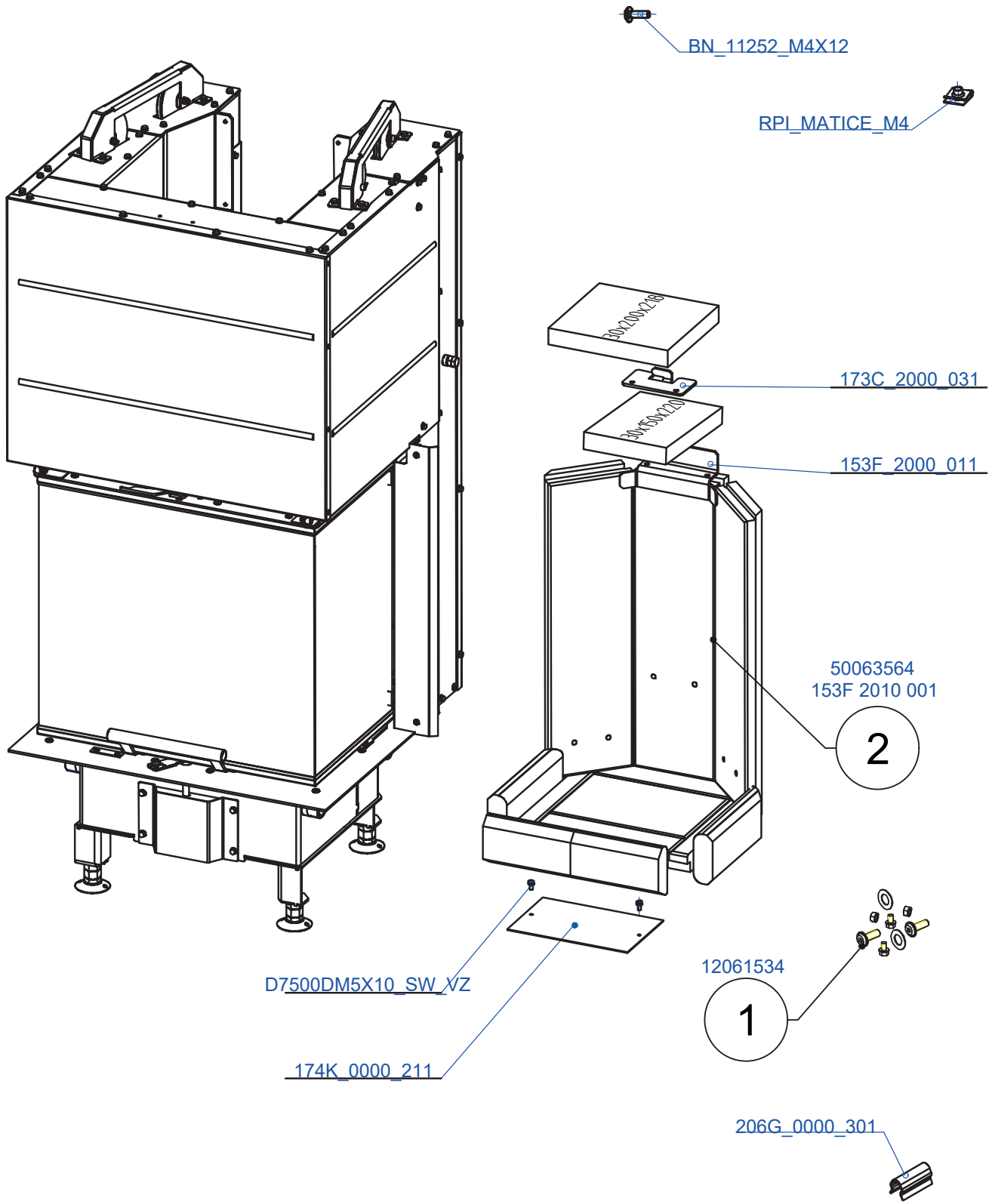


Jøtul I 320 FRL

SPARE PARTS



Since 1853

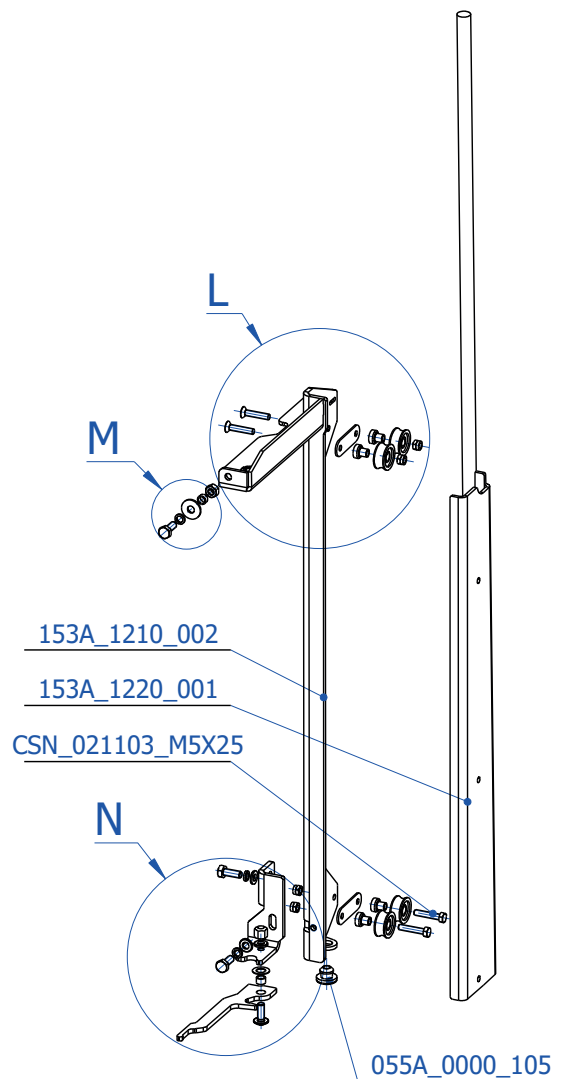
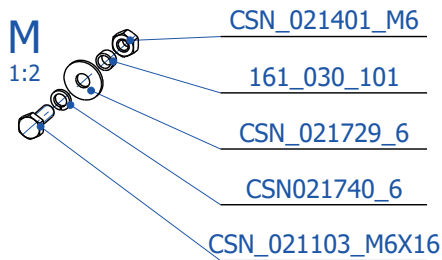
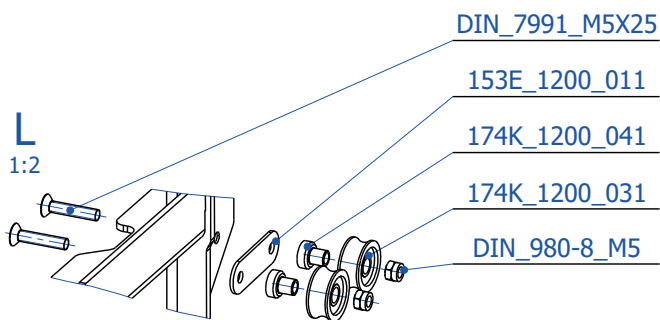
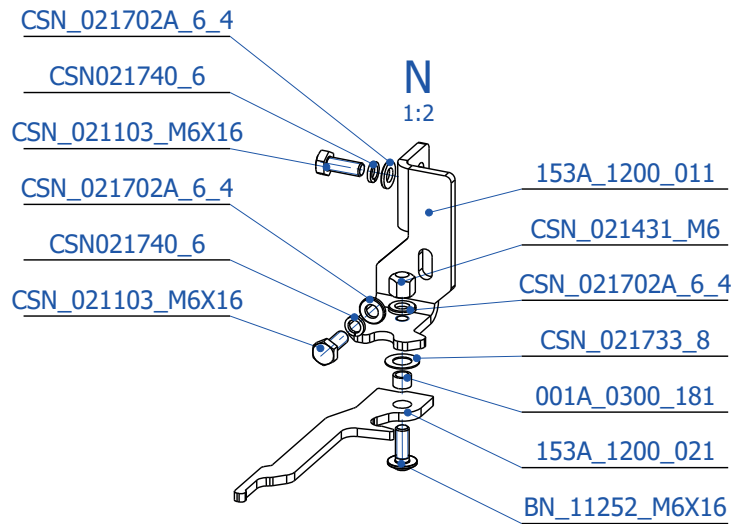


Jøtul I 320 FRL



Since 1853

SPARE PARTS

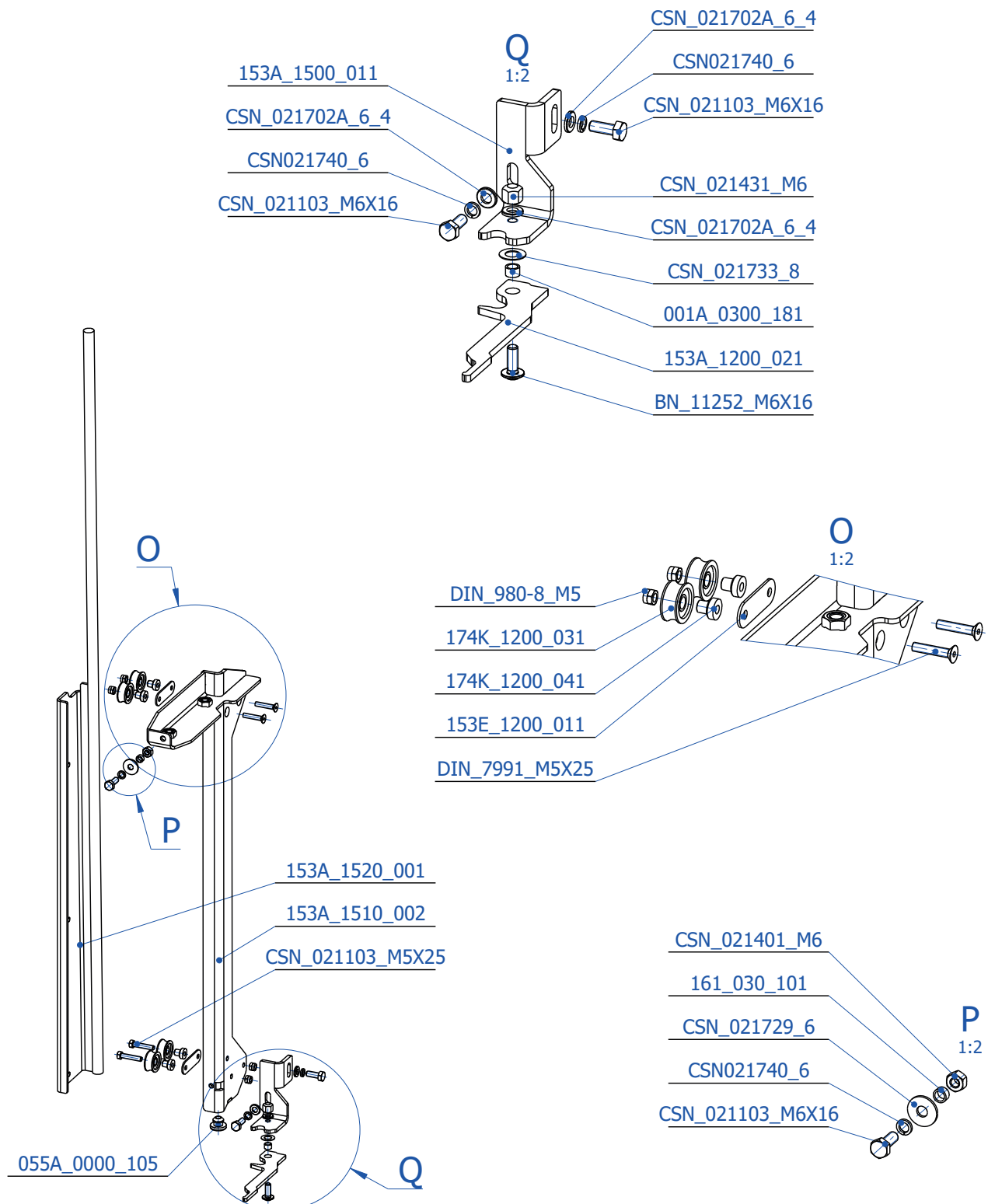


Jøtul I 320 FRL



Since 1853

SPARE PARTS

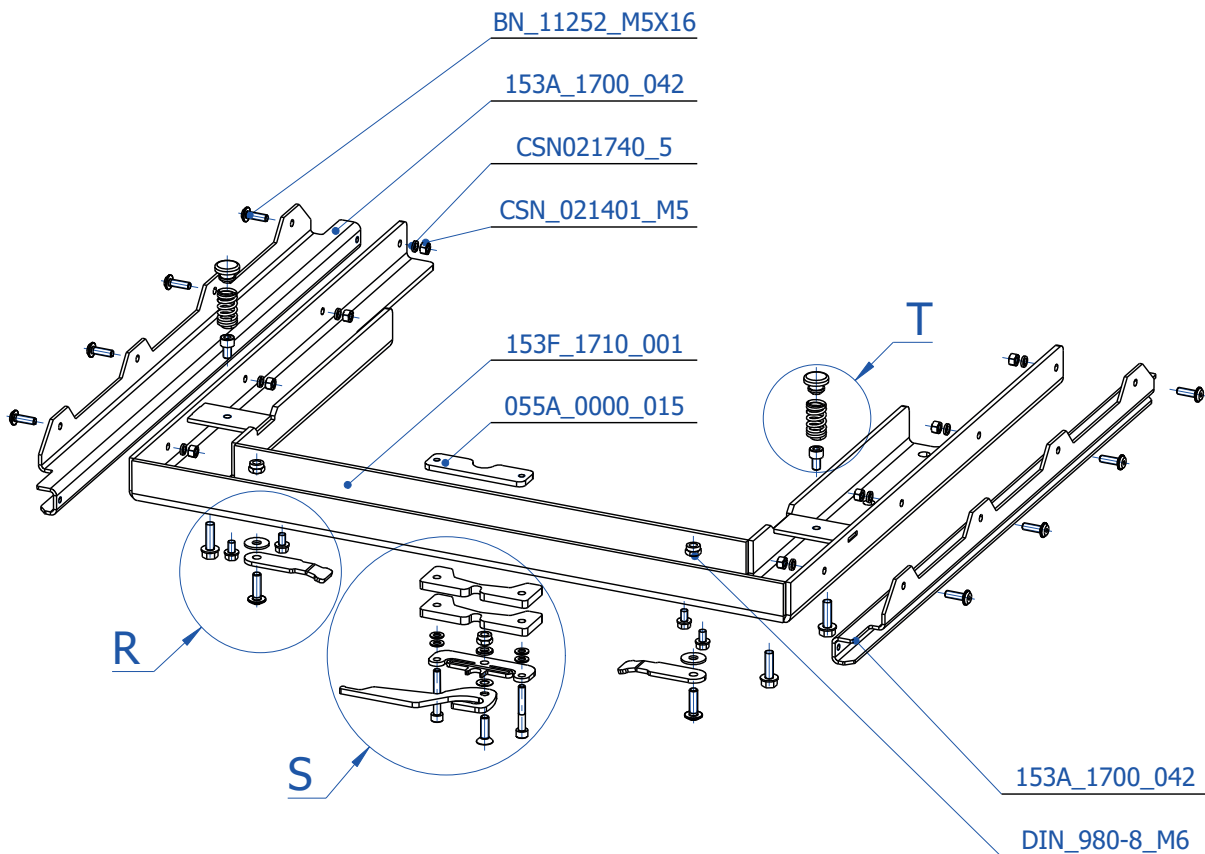
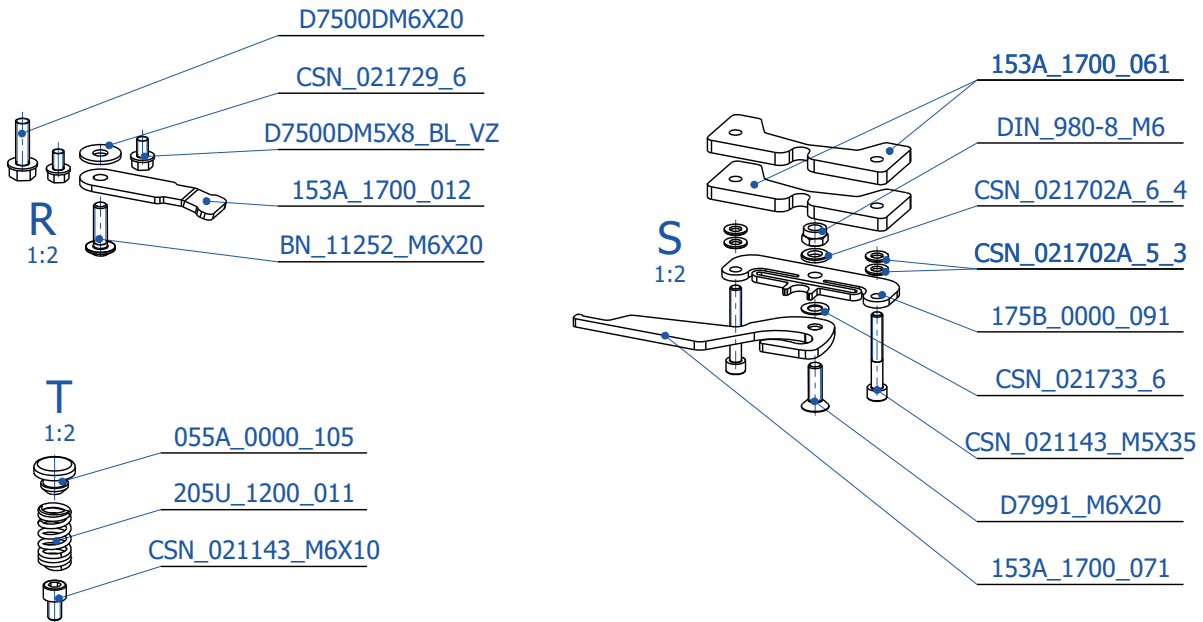


Jøtul I 320 FRL



Since 1853

SPARE PARTS

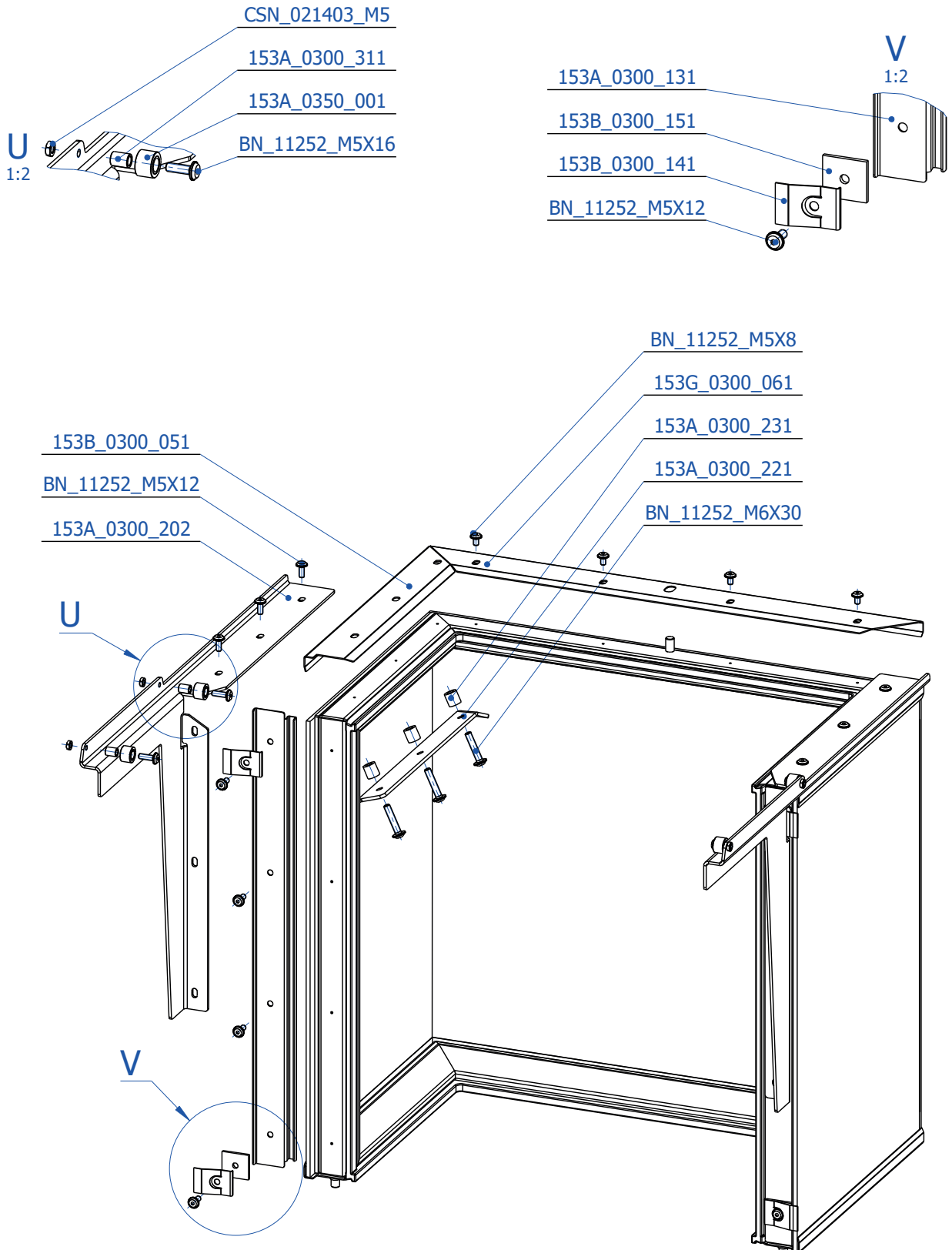


Jøtul I 320 FRL



Since 1853

SPARE PARTS

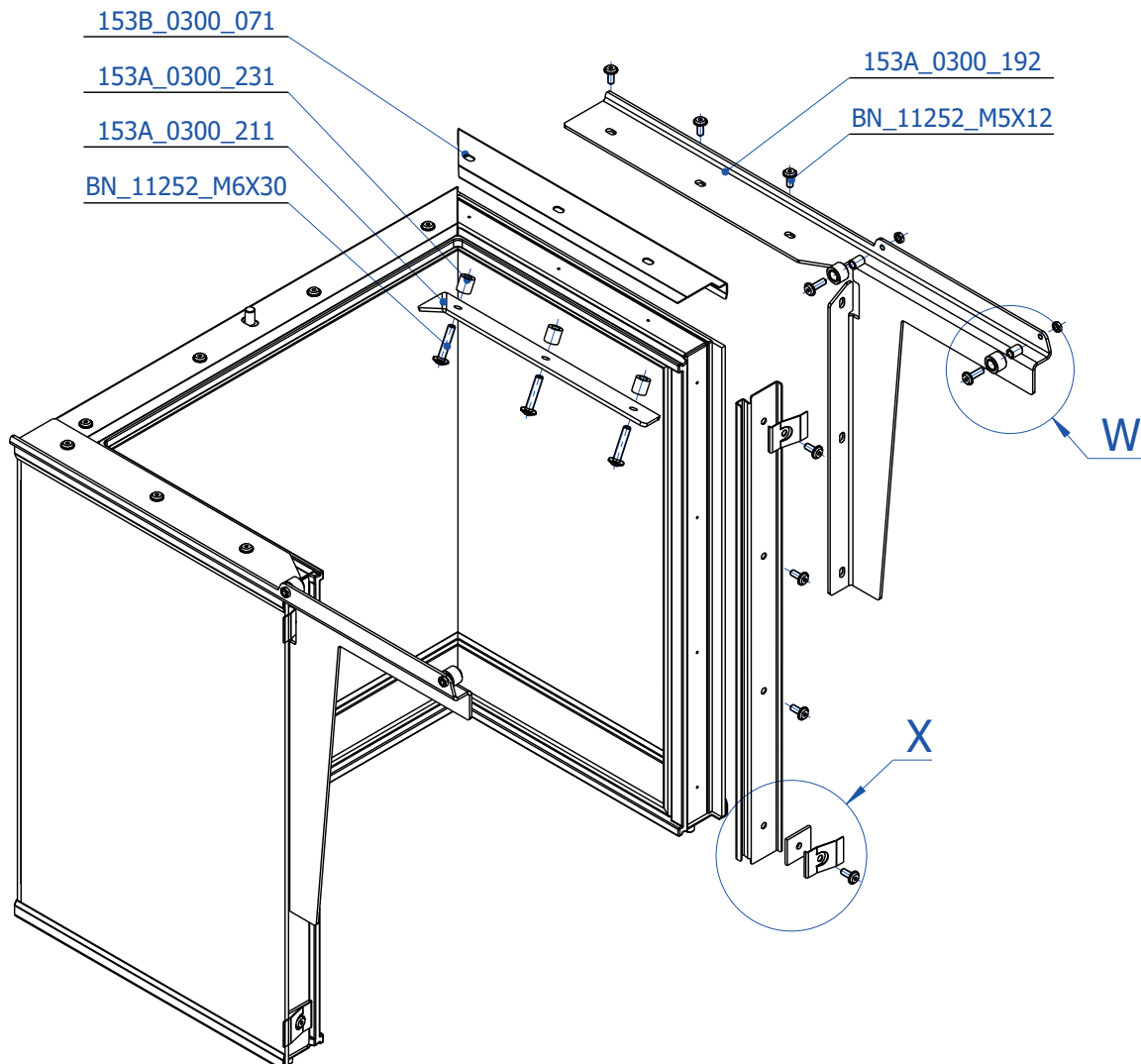
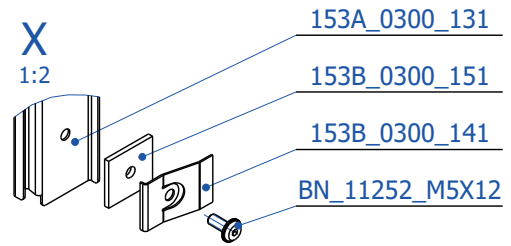
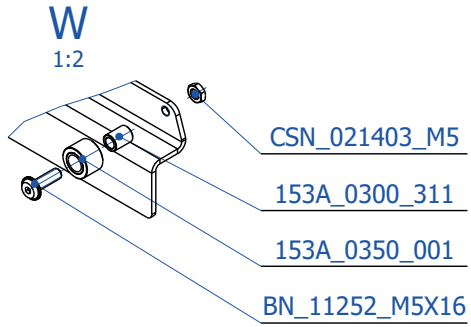


Jøtul I 320 FRL



Since 1853

SPARE PARTS

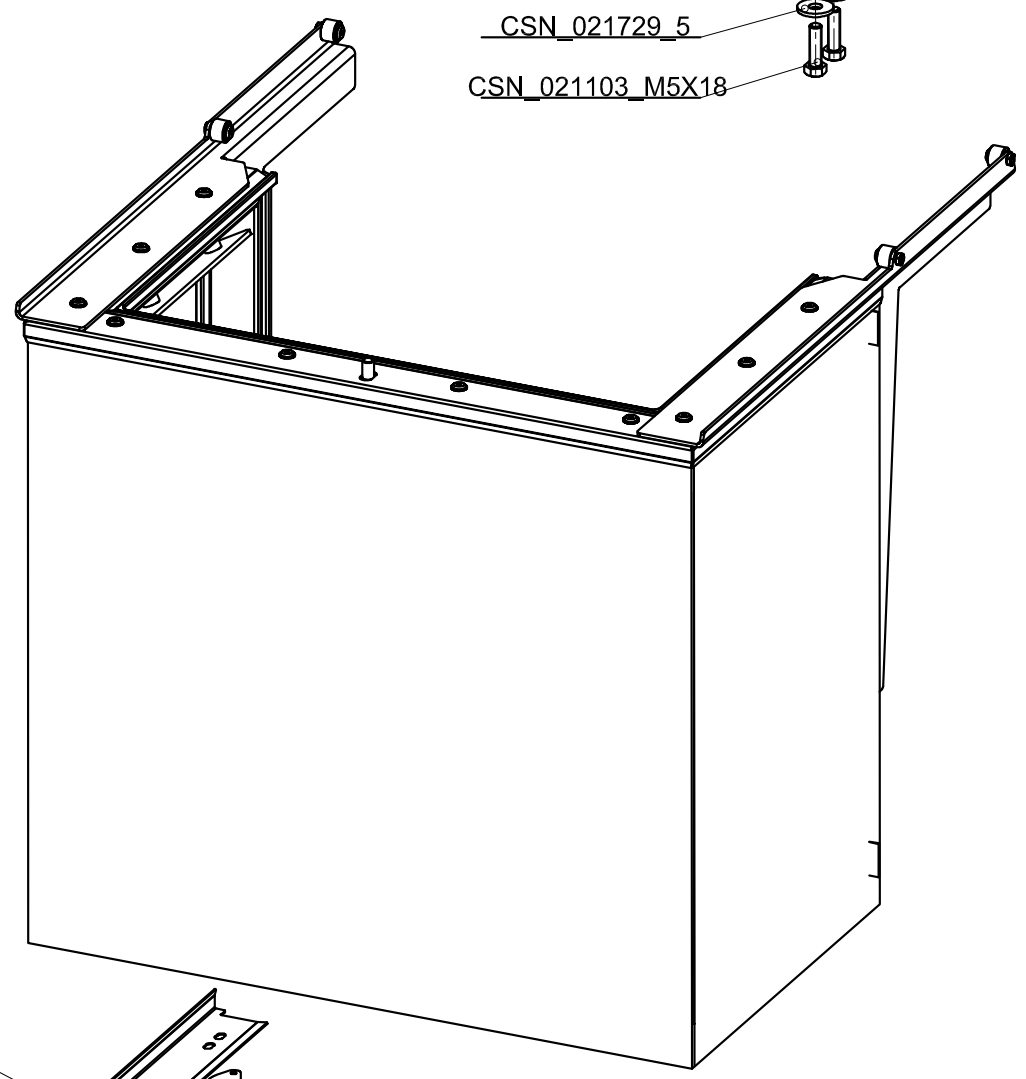
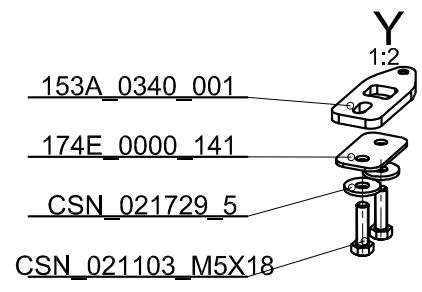


Jøtul I 320 FRL



Since 1853

SPARE PARTS



153B_0300_081

BN_11252_M5X8

153G_0300_091

BN_11252_M4X12

153B_0300_101

3 50064941

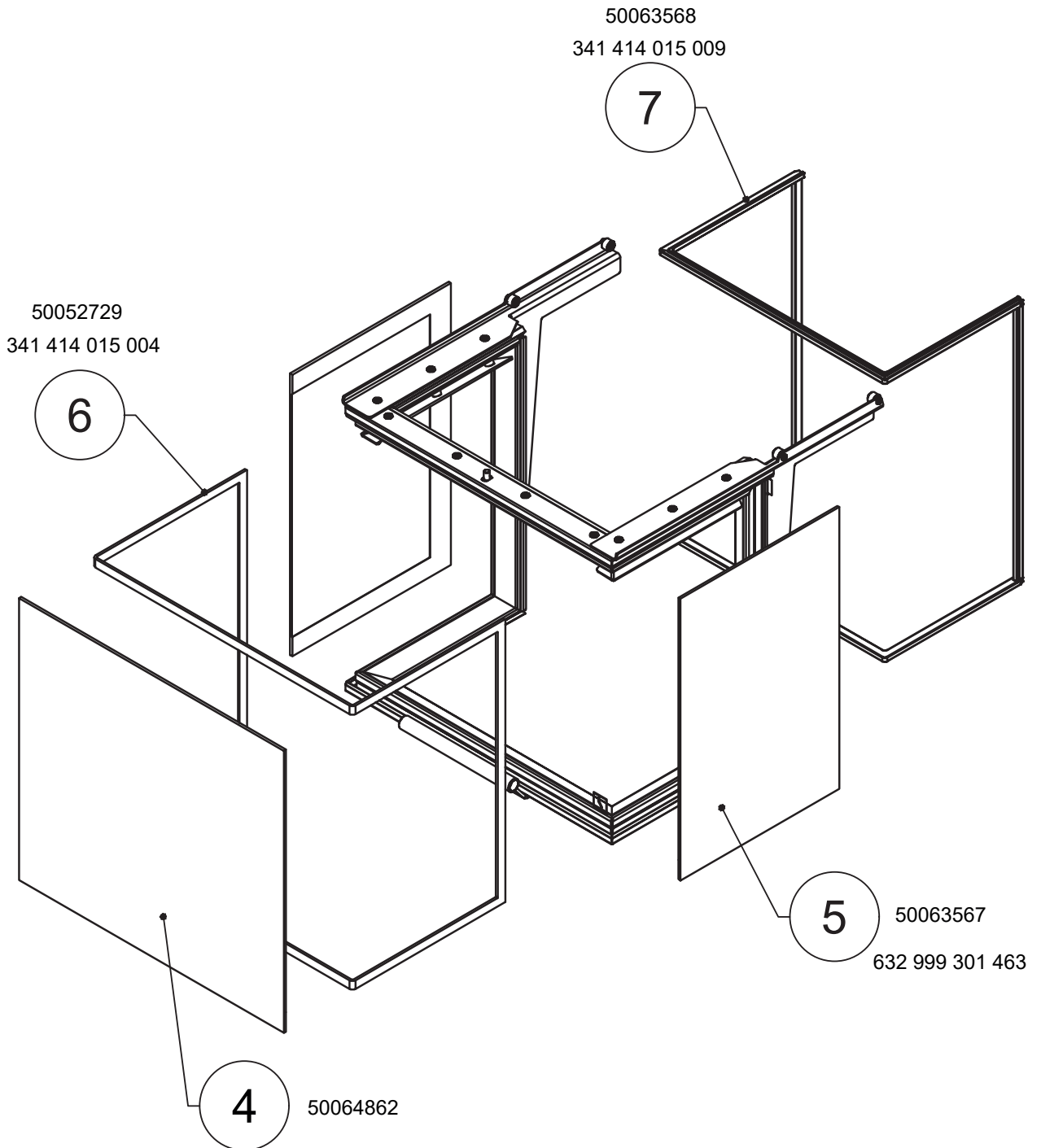
Y

Jøtul I 320 FRL



Since 1853

SPARE PARTS



Jøtul I 320 FRL

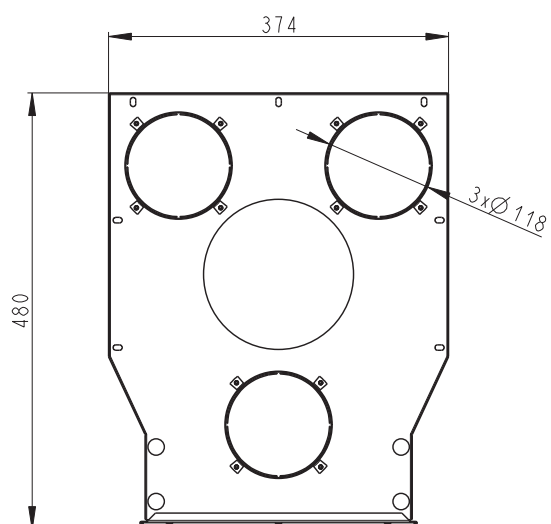
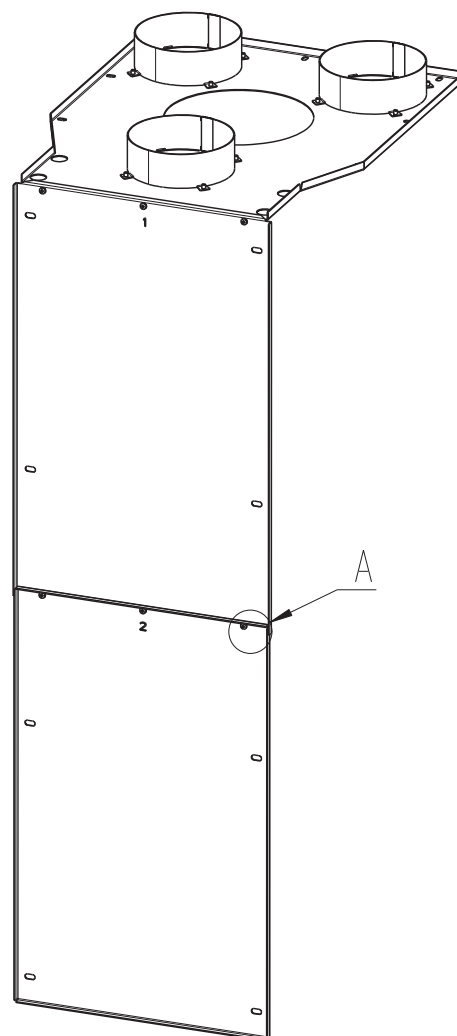
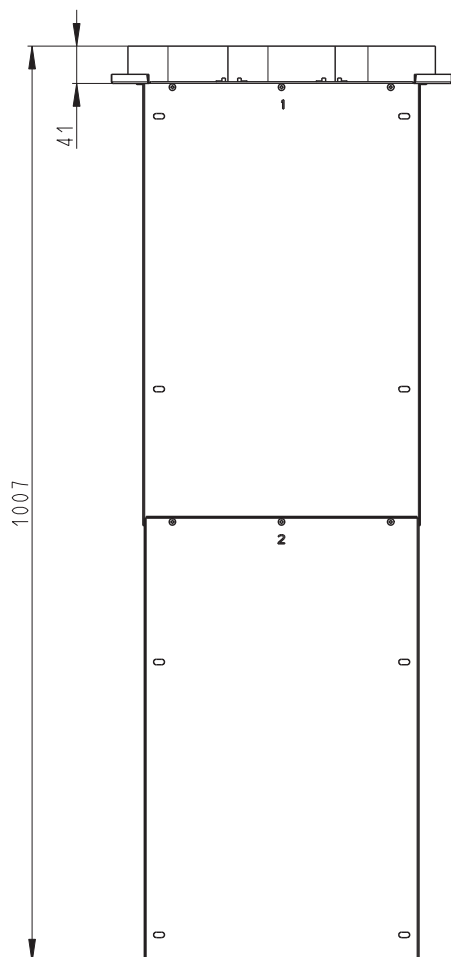


Since 1853

SPARE PARTS

50063554

Convection cover/heat shield



Jøtul I 320 FRL



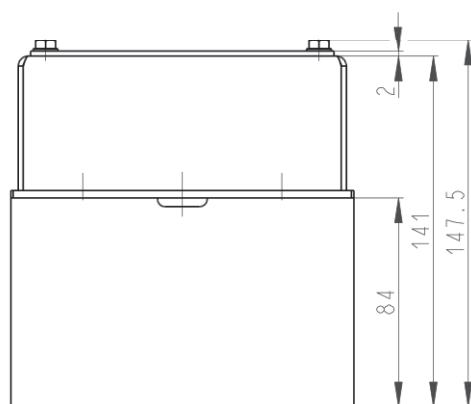
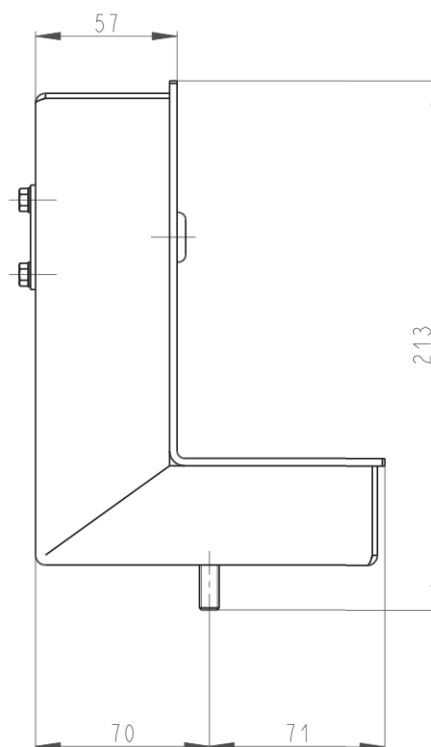
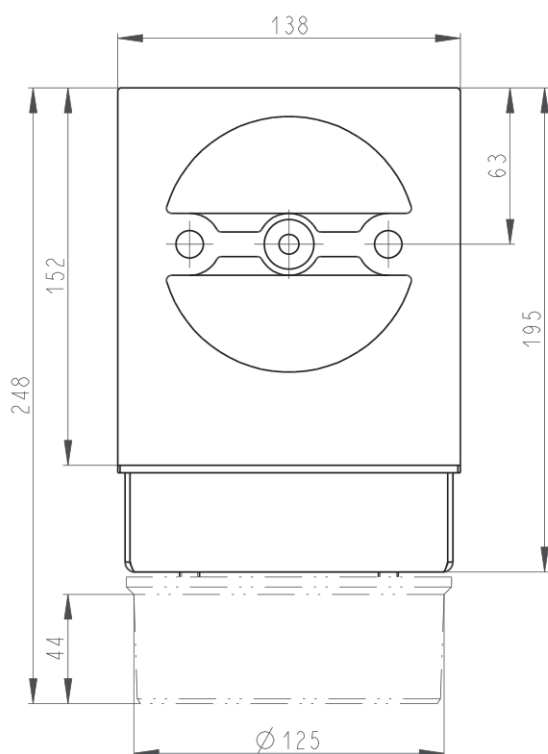
Since 1853

ACCESSORIES

50054150

Fresh air box for bottom

(outside $\varnothing 115/120$ mm - inside $\varnothing 105/100$ mm)



Jøtul I 320 FRL

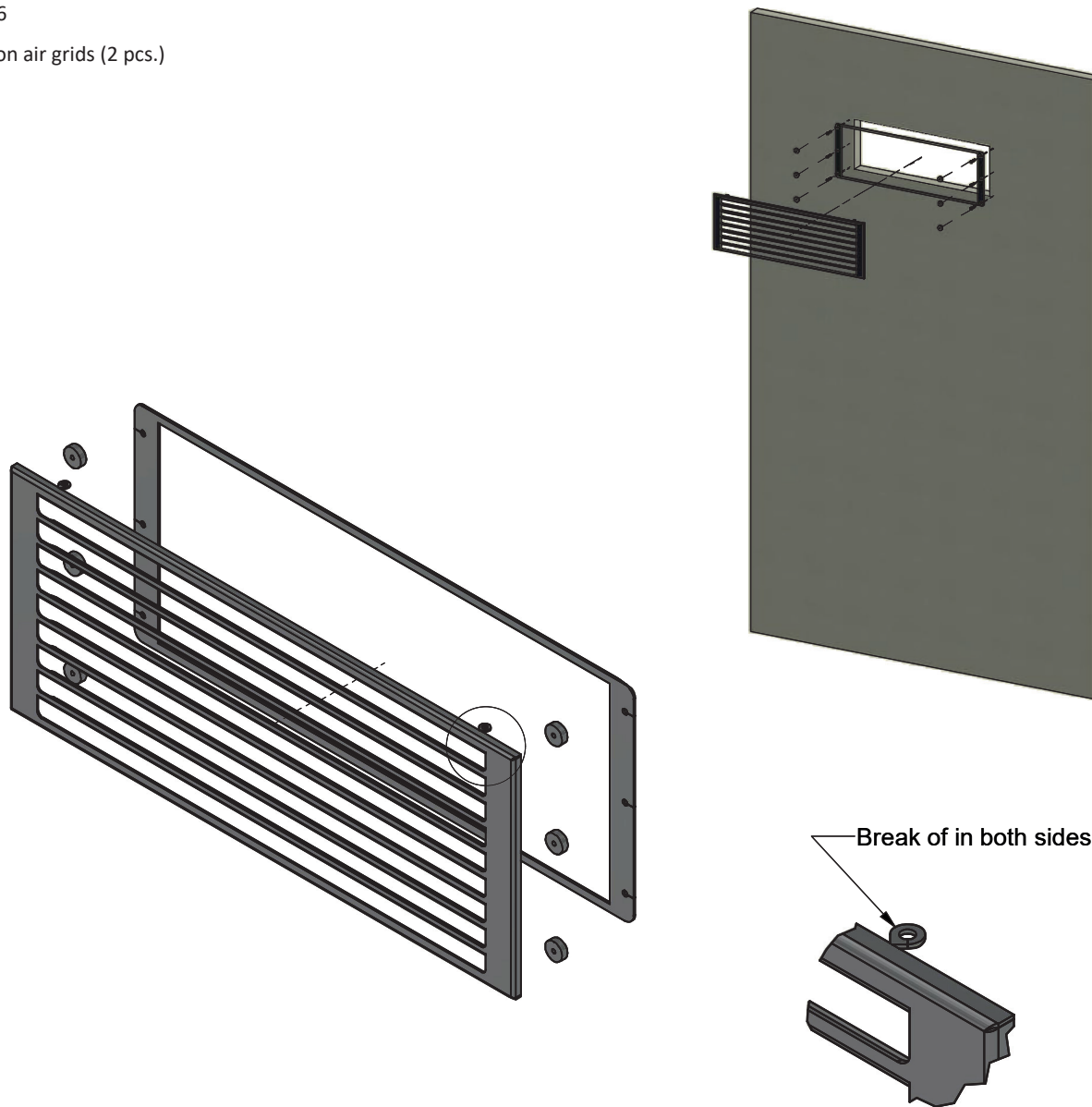


Since 1853

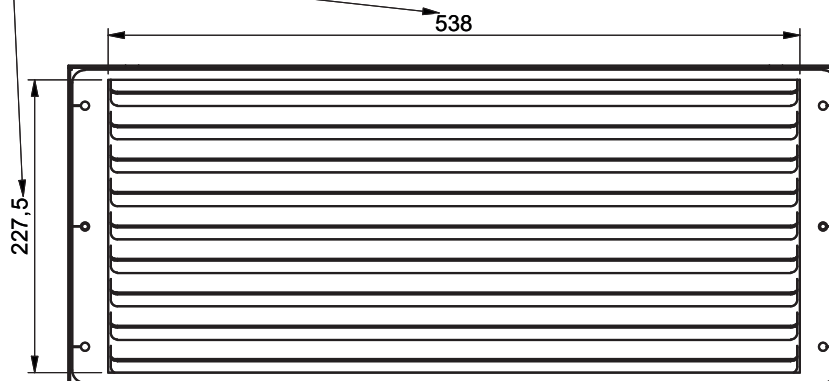
ACCESSORIES

51052596

Convection air grids (2 pcs.)



Size of hole in wall



Jøtul I 320 FRL

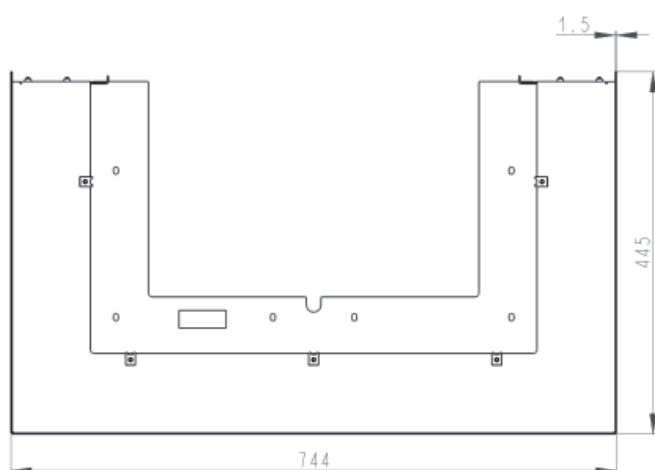
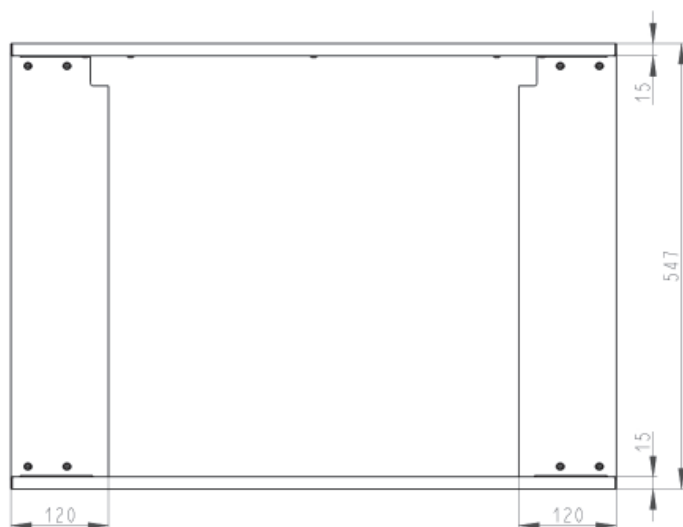
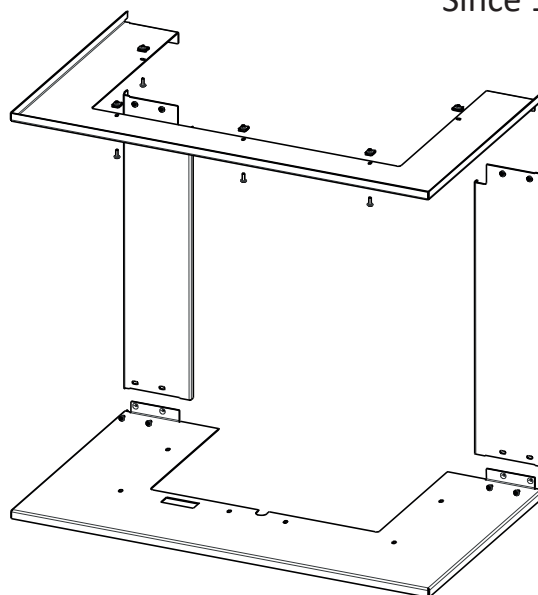


Since 1853

ACCESSORIES

50063556

Frame 1, 90 degrees bent, top/back/bottom



Jøtul I 320 FRL



Since 1853

ACCESSORIES

50063560

Frame 2, 90 degree bent, top/back/bottom, narrow

